



**TF Semiconductor
Solutions**



MOSFET/IGBT Gate Driver ICs

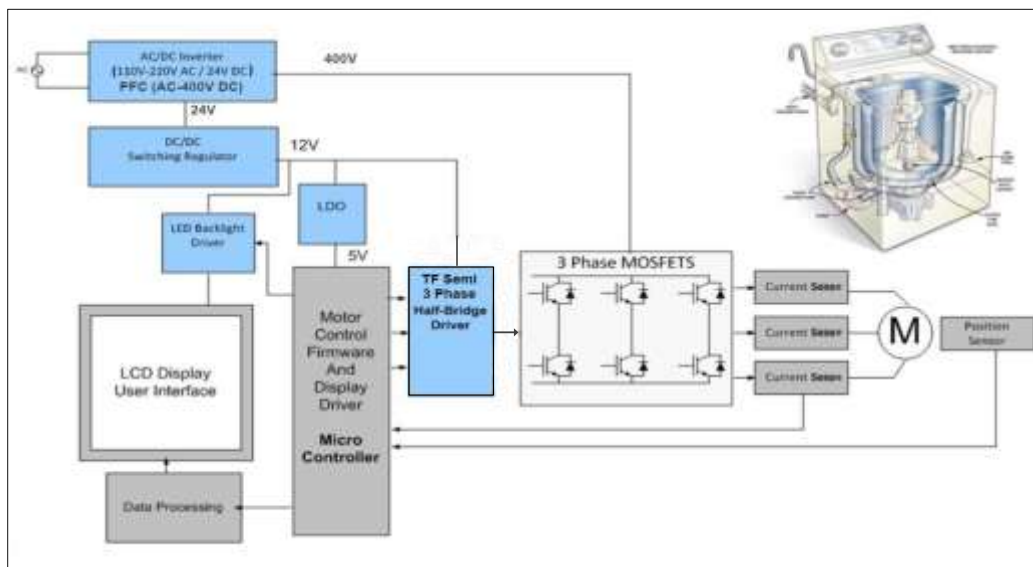
High Voltage Gate Driver ICs

Part	Name	IO+/IO-	Inputs	Deadtime	ton/toff	tr/td	Package
TF2101	600V High-Side/LowSide Gate Driver	290mA/600mA	HIN/LIN	none	160ns/150ns	70ns/35ns	SOIC14(N)/SOIC8(N)/PDIP8
TF2103	600V Half-Bridge Gate Driver	290mA/600mA	HIN/LIN*	520ns	680ns/150ns	70ns/35ns	SOIC8(N)/PDIP8
TF2103A	600V Half-Bridge Gate Driver	210mA/360mA	HIN/LIN*	520ns	680ns/150ns	100ns/50ns	SOIC8(N)/PDIP8
TF2104	600V Half-Bridge Gate Driver	290mA/600mA	IN/SD*	520ns	680ns/150ns	70ns/35ns	SOIC8(N)/PDIP8
TF2104A	600V Half-Bridge Gate Driver	210mA/360mA	IN/SD*	520ns	680ns/150ns	100ns/50ns	SOIC8(N)/PDIP8
TF2190	600V High-Side/LowSide Gate Drive	4.5A/4.5A	HIN/LIN	none	140ns/140ns	25ns/20ns	SOIC8(N)
TF21904	600V High-Side/LowSide Gate Drive	4.5A/4.5A	HIN/LIN	none	140ns/140ns	25ns/20ns	SOIC14(N)
TF2110	600V High-Side/LowSide Gate Driver	2.5A/2.5A	HIN/LIN/SD	none	120ns/90ns	25ns/17ns	SOIC16(W)/PDIP14
TF2113	600V High-Side/LowSide Gate Driver	2.5A/2.5A	HIN/LIN/SD	none	120ns/90ns	25ns/17ns	SOIC16(W)/PDIP14
TF2184	600V Half-Bridge Gate Driver	1.9A/2.3A	IN/SD*	400ns	680ns/270ns	40ns/20ns	SOIC8(N)/PDIP8
TF21844	600V Half-Bridge Gate Driver	1.9A/2.3A	IN/SD*	400ns - 5ms	680ns/270ns	40ns/20ns	SOIC14(N)/PDIP14
TF2181	600V High-Side/LowSide Gate Drive	1.9A/2.3A	HIN/LIN	none	180ns/220ns	40ns/20ns	SOIC8(N)/PDIP8
TF21814	600V High-Side/LowSide Gate Drive	1.9A/2.3A	HIN/LIN	none	180ns/220ns	40ns/20ns	SOIC14(N)/PDIP14
TF2304	600V Half-Bridge Gate Drive	290mA/600mA	HIN/LIN	100ns	150ns/150ns	70ns/35ns	SOIC8(N)/PDIP8
TF2117	600V Single Channel Driver	290mA/600mA	IN	none	160ns/125ns	75ns/35ns	SOIC8(N)/PDIP8
TF2118	600V Single Channel Driver	290mA/600mA	IN*	none	160ns/125ns	75ns/35ns	SOIC8(N)/PDIP8
TF2106	600V High-Side/LowSide Gate Driver	290mA/600mA	HIN/LIN	none	220ns/200ns	100ns/35ns	SOIC8(N)/PDIP8
TF21064	600V High-Side/LowSide Gate Driver	200mA/600mA	HIN/LIN	none	220ns/200ns	100ns/35ns	SOIC14(N)/PDIP14
TF2108	600V Half-Bridge Gate Driver	290mA/600mA	HIN/LIN*	540ns	220ns/200ns	100ns/35ns	SOIC8(N)/PDIP8
TF21084	600V Half-Bridge Gate Driver	200mA/600mA	HIN/LIN*	540ns - 5ms	220ns/200ns	100ns/35ns	SOIC14(N)/PDIP14

High Voltage Gate Driver ICs

Three Phase

Part	Name	IO+/IO-	Inputs	Deadtime	ton/toff	tr/tf	Package
TF23892	600V 3-Phase HalfBridge Gate Driver	350mA/650mA	HIN*(x3), LIN*(x3)	290ns	500ns/500ns	50ns/30ns	SOIC28
TF2136	600V 3-Phase HalfBridge Gate Driver	200mA/350mA	HIN*(x3), LIN*(x3)	290ns	500ns/500ns	125ns/50ns	SOIC28
TF21173L	600V Triple High Side Gate Driver	250mA/500mA	UHIN, VHIN, WHIN	none	600ns/350ns	70ns/30ns	SOIC28
SFH7310	600V Triple High Side Gate Driver	250mA/500mA	UHIN, VHIN, WHIN	none	600ns/350ns	70ns/30ns	die sales



Important Phone Numbers:

Sales North America: +(1)-916-850-8505

Sales Europe: +(1)-916-850-8505

Sales Asia: +86-1351-102-3160

Customer Service: +(1) 877-924-5001

