

**TF Semiconductor
Solutions**



MOSFET/IGBT Gate Driver ICs

High Voltage Gate Driver ICs

Single Phase

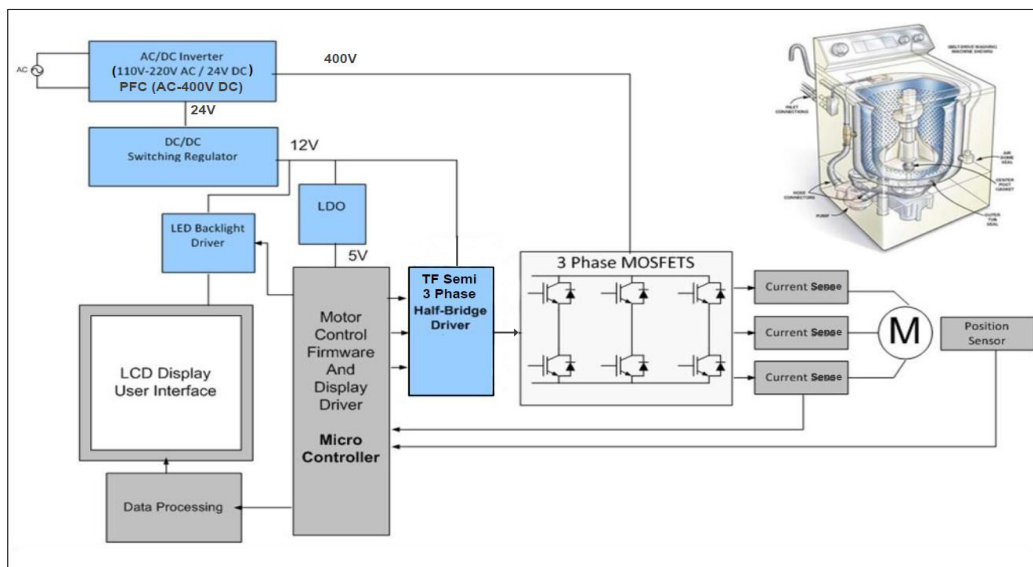
Part	Name	IO+/IO-	Inputs	Dead-time	ton/toff	tr/tf	Package
TF2101	600V High-Side/Low-Side Gate Driver	290mA/600mA	HIN/LIN	none	160ns/150ns	70ns/35ns	SOIC14(N)/SOIC8(N)/PDIP8
TF2103	600V Half-Bridge Gate Driver	290mA/600mA	HIN/LIN*	520ns	680ns/150ns	70ns/35ns	SOIC8(N)/PDIP8
TF2103A	600V Half-Bridge Gate Driver	210mA/360mA	HIN/LIN*	520ns	680ns/150ns	100ns/50ns	SOIC8(N)/PDIP8
TF2104	600V Half-Bridge Gate Driver	290mA/600mA	IN/SD*	520ns	680ns/150ns	70ns/35ns	SOIC8(N)/PDIP8
TF2104A	600V Half-Bridge Gate Driver	210mA/360mA	IN/SD*	520ns	680ns/150ns	100ns/50ns	SOIC8(N)/PDIP8
TF2190	600V High-Side/Low-Side Gate Drive	4.5A/4.5A	HIN/LIN	none	140ns/140ns	25ns/20ns	SOIC8(N)
TF21904	600V High-Side/Low-Side Gate Drive	4.5A/4.5A	HIN/LIN	none	140ns/140ns	25ns/20ns	SOIC14(N)
TF2110	600V High-Side/Low-Side Gate Driver	2.5A/2.5A	HIN/LIN/SD	none	120ns/90ns	25ns/17ns	SOIC16(W)/PDIP14
TF2113	600V High-Side/Low-Side Gate Driver	2.5A/2.5A	HIN/LIN/SD	none	120ns/90ns	25ns/17ns	SOIC16(W)/PDIP14
TF2184	600V Half-Bridge Gate Driver	1.9A/2.3A	IN/SD*	400ns	680ns/270ns	40ns/20ns	SOIC8(N)/PDIP8
TF21844	600V Half-Bridge Gate Driver	1.9A/2.3A	IN/SD*	400ns - 5ms	680ns/270ns	40ns/20ns	SOIC14(N)/PDIP14
TF2181	600V High-Side/Low-Side Gate Drive	1.9A/2.3A	HIN/LIN	none	180ns/220ns	40ns/20ns	SOIC8(N)/PDIP8
TF21814	600V High-Side/Low-Side Gate Drive	1.9A/2.3A	HIN/LIN	none	180ns/220ns	40ns/20ns	SOIC14(N)/PDIP14
TF2304	600V Half-Bridge Gate Drive	290mA/600mA	HIN/LIN	100ns	150ns/150ns	70ns/35ns	SOIC8(N)/PDIP8
TF2117	600V Single Channel Driver	290mA/600mA	IN	none	160ns/125ns	75ns/35ns	SOIC8(N)/PDIP8
TF2118	600V Single Channel Driver	290mA/600mA	IN*	none	160ns/125ns	75ns/35ns	SOIC8(N)/PDIP8
TF2106	600V High-Side/Low-Side Gate Driver	290mA/600mA	HIN/LIN	none	220ns/200ns	100ns/35ns	SOIC8(N)/PDIP8
TF21064	600V High-Side/Low-Side Gate Driver	200mA/600mA	HIN/LIN	none	220ns/200ns	100ns/35ns	SOIC14(N)/PDIP14
TF2108	600V Half-Bridge Gate Driver	290mA/600mA	HIN/LIN*	540ns	220ns/200ns	100ns/35ns	SOIC8(N)/PDIP8
TF21084	600V Half-Bridge Gate Driver	200mA/600mA	HIN/LIN*	540ns - 5ms	220ns/200ns	100ns/35ns	SOIC14(N)/PDIP14



High Voltage Gate Driver ICs

Three Phase

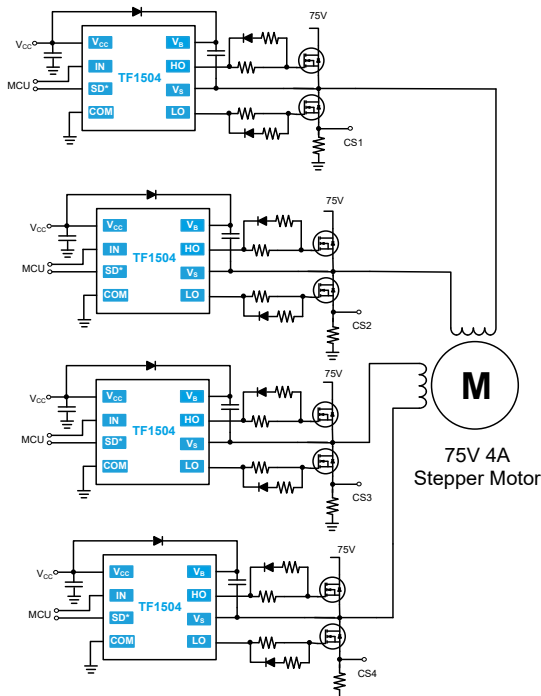
Part	Name	IO+/IO-	Inputs	Dead-time	ton/toff	tr/tf	Package
TF23892	600V 3-Phase Half-Bridge Gate Driver	350mA/650mA	HIN*(x3), LIN*(x3)	290ns	500ns/500ns	50ns/30ns	SOIC28
TF2136	600V 3-Phase Half-Bridge Gate Driver	200mA/350mA	HIN*(x3), LIN*(x3)	290ns	500ns/500ns	125ns/50ns	SOIC28
TF21173L	600V Triple High Side Gate Driver	250mA/500mA	UHIN, VHIN, WHIN	none	600ns/350ns	70ns/30ns	SOIC28
SFH7310	600V Triple High Side Gate Driver	250mA/500mA	UHIN, VHIN, WHIN	none	600ns/350ns	70ns/30ns	die sales



Mid and Low Voltage Gate Driver ICs

Single Phase

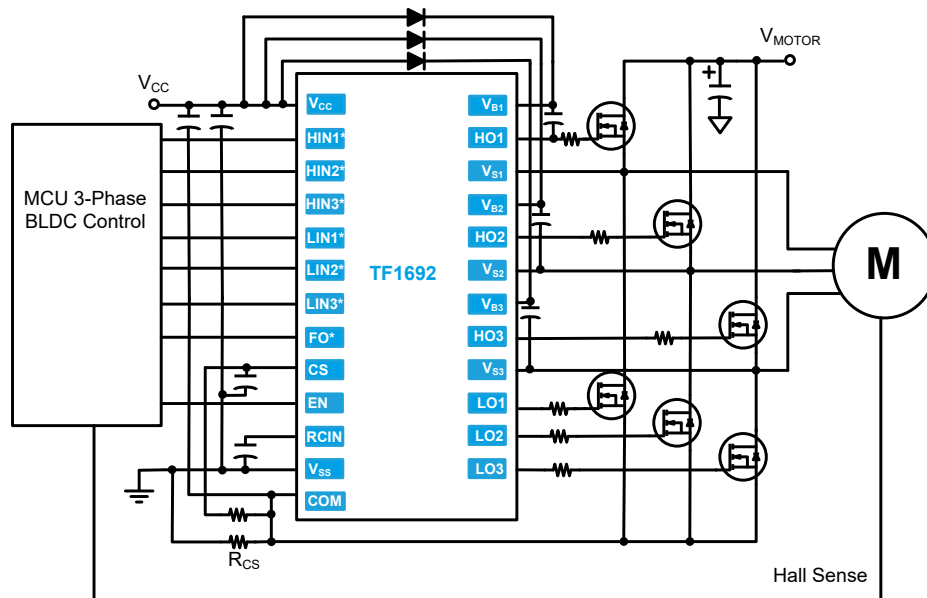
Part	Name	IO+/IO-	Inputs	Dead-time	ton/toff	tr/td	Package
TF0304	100V Half-Bridge Gate Drive	290mA/600mA	HIN/LIN	100ns	150ns/150ns	70ns/35ns	SOIC8(N)/PDIP8
TF0506	50V High Frequency Half-Bridge Gate Driver	1.5A/2.5A	IN	90ns - 520ns	30ns/22ns	30ns/15ns	TDFN-10
TF0507	50V High Frequency Half-Bridge Gate Driver	1.5A/2.5A	HIN/LIN	none	22ns/22ns	30ns/15ns	TDFN-10
TF0503	100V Half-Bridge Gate Driver	290mA/600mA	HIN/LIN*	520ns	680ns/150ns	70ns/35ns	TDFN-10
TF0504	100V Half-Bridge Gate Driver	290mA/600mA	IN/SD*	520ns	680ns/150ns	70ns/35ns	TDFN-10
TF0581	100V High-Side/Low-Side Gate Drive	1.9A/2.3A	HIN/LIN	none	180ns/220ns	40ns/20ns	TDFN-10
TF0584	100V Half-Bridge Gate Driver	1.9A/2.3A	IN/SD*	400ns	680ns/270ns	40ns/20ns	TDFN-10
TF1304	250V Half-Bridge Gate Drive	290mA/600mA	HIN/LIN	100ns	150ns/150ns	70ns/35ns	SOIC8(N)/PDIP8
TF1503	250V Half-Bridge Gate Driver	290mA/600mA	HIN/LIN*	520ns	680ns/150ns	70ns/35ns	SOIC8(N)
TF1504	250V Half-Bridge Gate Driver	290mA/600mA	IN/SD*	520ns	680ns/150ns	70ns/35ns	SOIC8(N)
TF1581	250V High-Side/Low-Side Gate Drive	1.9A/2.3A	HIN/LIN	none	180ns/220ns	40ns/20ns	SOIC8(N)
TF1584	250V Half-Bridge Gate Driver	1.9A/2.3A	IN/SD*	400ns	680ns/270ns	40ns/20ns	SOIC8(N)
TFG1200	200V High-Side/Low-Side eGaN Gate Drive	1.2A/5.0A	HI/LI	none	25ns/25ns	7.0ns/1.5ns	TDFN-10



Mid and Low Voltage Gate Driver ICs

Three Phase

Part	Name	IO+/IO-	Inputs	Dead-time	ton/toff	tr/tf	Package
TF1692	250V 3-Phase Half-Bridge Gate Driver	350mA/650mA	HIN*(x3), LIN*(x3)	290ns	500ns/500ns	50ns/30ns	SOIC28
TF0692	100V 3-Phase Half-Bridge Gate Driver	350mA/650mA	HIN*(x3), LIN*(x3)	290ns	500ns/500ns	50ns/30ns	SOIC28
TF1636	250V 3-Phase Half-Bridge Gate Drive	200mA/350mA	HIN*(x3), LIN*(x3)	290ns	500ns/500ns	125ns/50ns	SOIC28
TF0636	100V 3-Phase Half-Bridge Gate Drive	200mA/350mA	HIN*(x3), LIN*(x3)	290ns	500ns/500ns	125ns/50ns	SOIC28



Competitive Product Cross Reference

TF Semi	A	B
TF0506		LM5106
TF0507		MP1907
TF23892	FAN73892	IR2136
TF2136	IR2136	FAN73892
TF2101	IRS2101	IR2101 / FAN7842/FAN7382
TF1503		IRS2003, IR2103, IRS2103
TF1504		IRS2004, IR2104, IRS2104
TF2103	IRS2103	IR2103
TF2103A	IR2103	IRS2103
TF2104	IRS2104	IR2104/FAN7080, NCP5104
TF2104A	IR2104	IR25602, IRS2104
TF2190(4)	FAN7390/UCC27714	FAN7190/FAN7390A/ FAN7391
TF2110	IRS2110	IR2110/IR2113/IRS2113/ FAN7392
TF2113	IRS2113	IR2110/IRS2110/IR2113/ FAN7392
TF1584		IR2184/FAN73932
TF2184	IRS2184	IR2184/FAN73932
TF21844	IRS21844	IR21844
TF2117	IRS2117	IR2117
TF2118	IRS2118	IR2118
TF2106	IRS2106	IR2106/FAN7382M
TF21064	IRS21064	IR21064
TF2108	IRS2108	IR2108
TF21084	IRS21084	IR21084
TF1581		IR2181/FAN73901
TF2181	IRS2181	IR2181/FAN73901

A - Pinout Compatible and Functionally Compatible

B - Pinout Compatible and Functionally Similar

Important Phone Numbers:

Sales North America: +(1)-916-850-8505

Sales Europe: +(1)-916-850-8505

Sales Asia: +86-1351-102-3160

Customer Service: +(1) 877-924-5001