



TF21814

High-Side and Low-Side Gate Driver

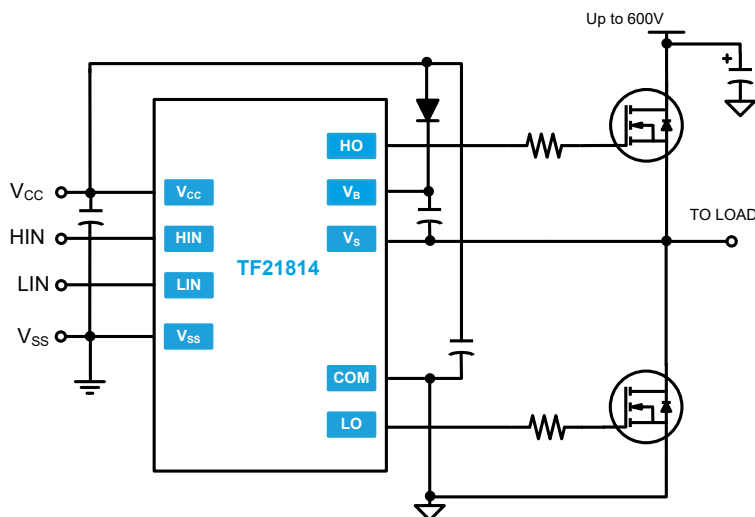
Features

- Floating high-side driver in bootstrap operation to 600V
- Drives two N-channel MOSFETs or IGBTs in a half bridge configuration
- 1.9A source / 2.3A sink output current capability
- Outputs tolerant to negative transients
- Wide low side gate driver supply voltage: 10V to 20V
- Logic input (HIN and LIN) 3.3V capability
- Schmitt triggered logic inputs with internal pull down
- Undervoltage lockout for high and low side drivers
- Extended temperature range: -40°C to +125°C

Applications

- Motor Drivers
- Motor Controls
- DC-DC Converters
- Class D Power Amplifiers

Typical Application

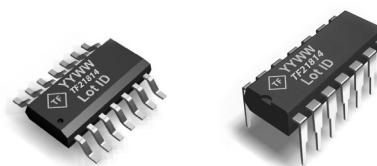


Description

The TF21814 is a high voltage, high speed gate driver capable of driving N-channel MOSFETs and IGBTs in a half bridge configuration. TF Semiconductor's high voltage process enables the TF21814's high side to switch to 600V in a bootstrap operation.

The TF21814 logic inputs are compatible with standard TTL and CMOS levels (down to 3.3V) to interface easily with controlling devices. The driver outputs feature high pulse current buffers designed for minimum driver cross conduction.

The TF21814 is offered in PDIP-14 and SOIC-14(N) packages and operate over an extended -40°C to +125°C temperature range.



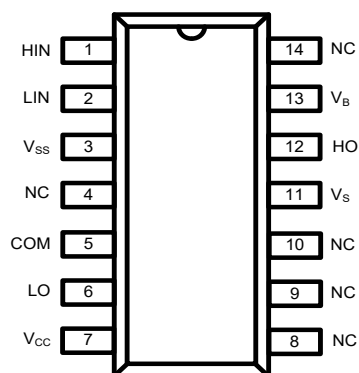
SOIC-14(N)

PDIP-14

Ordering Information

Year Year Week Week

PART NUMBER	PACKAGE	PACK / Qty	MARK
TF21814-3BS	PDIP-14	Tube / 25	YYWW TF21814 Lot ID
TF21814-TUU	SOIC-14(N)	Tube / 50	YYWW TF21814 Lot ID
TF21814-TUH	SOIC-14(N)	T&R / 2500	

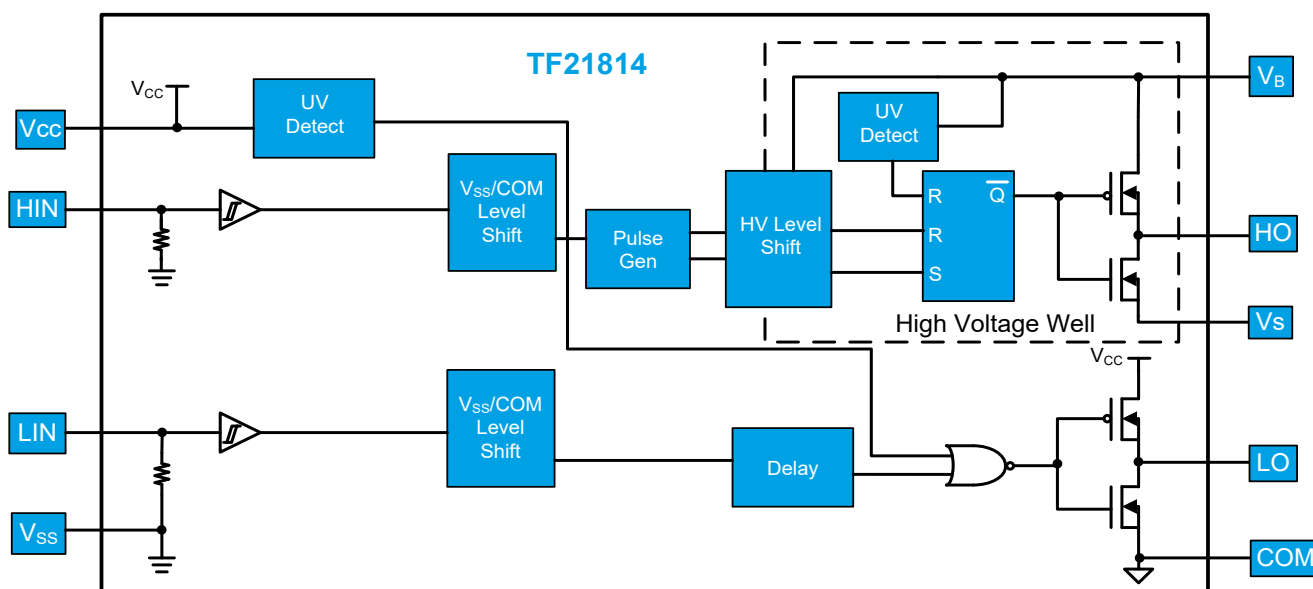


Top View: PDIP-14, SOIC-14

Pin Descriptions

PIN NAME	PIN NUMBER	PIN DESCRIPTION
HIN	1	Logic input for high-side gate driver output, in phase with HO.
LIN	2	Logic input for low-side gate driver output, in phase with LO.
V_{SS}	3	Logic return
NC	4, 8, 9, 10, 14	No Connect
COM	5	Low-side return
LO	6	Low-side gate drive output
V_{CC}	7	Low-side and logic fixed supply
V_S	11	High-side floating supply return
HO	12	High-side gate drive output
V_B	13	High-side floating supply

Functional Block Diagram





Absolute Maximum Ratings (NOTE1)

V_B - High side floating supply voltage.....	-0.3V to +624V
V_S - High side floating supply offset voltage....	V_B -24V to V_B +0.3V
V_{HO} - Highside floating output voltage.....	V_S -0.3V to V_B +0.3V
dV_S/dt - Offset supply voltage transient.....	50V/ns
V_{CC} - Low-side fixed supply voltage.....	-0.3V to +24V
V_{SS} - Logic supply offset voltage.....	V_{CC} -24V to V_{CC} +0.3V
V_{LO} - Low-side output voltage.....	-0.3V to V_{CC} +0.3V
V_{IN} - Logic input voltage (HIN and LIN).....	-0.3V to V_{CC} +0.3V

NOTE1 Stresses beyond those listed under "Absolute Maximum Ratings" may cause permanent damage to the device. These are stress ratings only, and functional operation of the device at these or any other conditions beyond those indicated in the operational sections of the specifications is not implied. Exposure to absolute maximum rating conditions for extended periods may affect device reliability.

P_D - Package power dissipation at $T_A \leq 25^\circ\text{C}$	
SOIC-14.....	1.0W
PDIP-14.....	1.6W

SOIC-14(N) Thermal Resistance (NOTE2)	
θ_{JA}	120°C/W
PDIP-14 Thermal Resistance (NOTE2)	
θ_{JA}	75°C/W

T_J - Junction operating temperature.....	+150 °C
T_L - Lead Temperature (soldering, 10 seconds).....	+300 °C
T_{stg} - Storage temperature	-55 to 150 °C

NOTE2 Thermal resistance and power dissipation ratings are measured under board mounted and still air conditions.

Recommended Operating Conditions

Symbol	Parameter	MIN	MAX	Unit
V_B	High side floating supply absolute voltage	$V_S + 10$	$V_S + 20$	V
V_S	High side floating supply offset voltage	NOTE3	600	V
V_{HO}	High side floating output voltage	V_S	V_B	V
V_{CC}	Low side fixed supply voltage	10	20	V
V_{LO}	Low side output voltage	COM	V_{CC}	V
V_{IN}	Logic input voltage (HIN and LIN)	V_{SS}	5	V
V_{SS}	Logic Ground	-5	+5	V
T_A	Ambient temperature	-40	125	°C

NOTE3 Logic operational for V_S of -5V to +600V. Logic state held for V_S of -5V to -VBS



DC Electrical Characteristics (NOTE4)

$V_{BIAS} (V_{CC}, V_{BS}) = 15V, T_A = 25\text{ }^\circ\text{C}$, unless otherwise specified.

Symbol	Parameter	Conditions	MIN	TYP	MAX	Unit
V_{IH}	Logic "1" input voltage	$V_{CC} = 10V \text{ to } 20V$	2.5			V
V_{IL}	Logic "0" input voltage				0.8	
V_{OH}	High level output voltage, $V_{BIAS} - V_O$	$I_O = 0A$			1.4	
V_{OL}	Low level output voltage, V_O	$I_O = 20mA$			0.2	
I_{LK}	Offset supply leakage current	$V_B = V_S = 600V$			50	μA
I_{BSQ}	Quiescent V_{BS} supply current	$V_{IN} = 0V \text{ or } 5V$	20	60	150	
I_{CCQ}	Quiescent V_{CC} supply current	$V_{IN} = 0V \text{ or } 5V$	50	120	240	μA
I_{IN+}	Logic "1" input bias current	$V_{IN} = 5V$		25	60	μA
I_{IN-}	Logic "0" input bias current	$V_{IN} = 0V$			5.0	
V_{BSUV+}	V_{BS} supply under-voltage positive going threshold		8.0	8.9	9.8	V
V_{BSUV-}	V_{BS} supply under-voltage negative going threshold		7.4	8.2	9.0	
V_{CCUV+}	V_{CC} supply under-voltage positive going threshold		8.0	8.9	9.8	
V_{CCUV-}	V_{CC} supply under-voltage negative going threshold		7.4	8.2	9.0	
I_{O+}	Output high short circuit pulsed current	$V_O = 0V, PW \leq 10\ \mu s$	1.4	1.9		A
I_{O-}	Output low short circuit pulsed current	$V_O = 15V, PW \leq 10\ \mu s$	1.8	2.3		

NOTE4 The V_{IH} , V_{TH} , and I_{IN} parameters are applicable to the two logic input pins: LIN and HIN. The V_O and I_O parameters are applicable to the respective output pins: HO and LO.



AC Electrical Characteristics

$V_{BIAS} (V_{CC}, V_{BS}) = 15V$, $C_L = 1000pF$, and $T_A = 25\text{ }^\circ\text{C}$, unless otherwise specified.

Symbol	Parameter	Conditions	MIN	TYP	MAX	Unit
t_{on}	Turn-on propagation delay	$V_S = 0V$		180	270	ns
t_{off}	Turn-off propagation delay	$V_S = 0V$ or $600V$		220	330	
t_{DM}	Delay matching, HS & LS turn-on/off				35	
t_r	Turn-on rise time	$V_S = 0V$		40	60	
t_f	Turn-off fall time			20	35	



Timing Waveforms

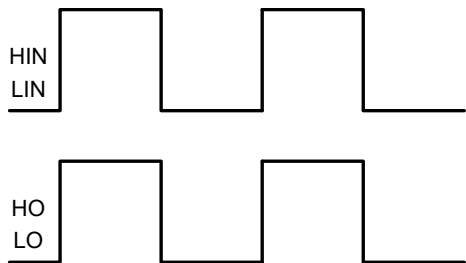


Figure 1. Input / Output Timing Diagram

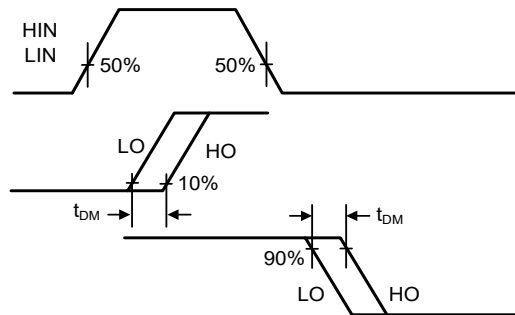


Figure 2. Delay Matching Waveform Definitions

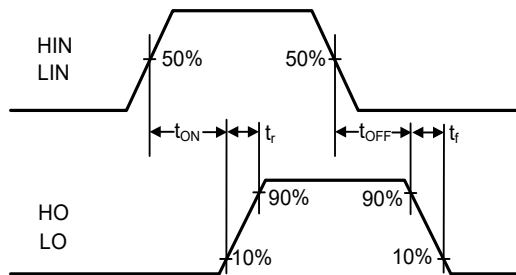


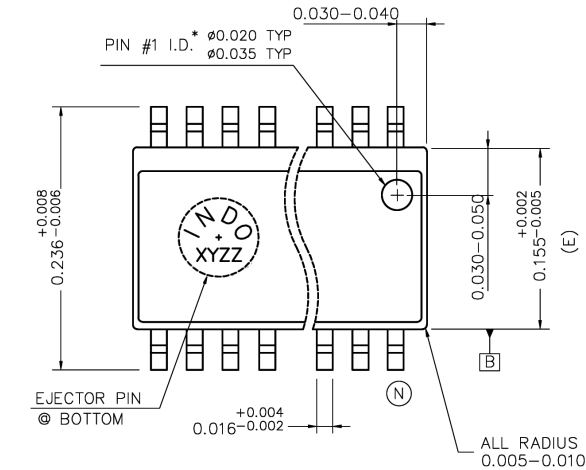
Figure 3. Switching Time Waveform Definitions



Package Dimensions (SOIC-14 N)

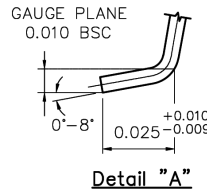
Please contact support@tfsemi.com for package availability.

REV	DESCRIPTION	DATE	BY	REV	DESCRIPTION	DATE	BY
M	UPDATE FOOT LENGTH MEASUREMENT METHOD	04SEPT06	AGUS S/PE	J	CHANGE FR .035/.045 & FR .045/.055 CHANGE PIN 1 DIA FR #.045 & ADD #.020 TYP	07FEB01	AI
N	CHANGE COMPANY NAME & LOGO REMOVE "GULL WING" FROM TITLE UPDATE 16L VARIATION	13JUN08	AGUS S/PE	K	UPDATE TABLE, REMOVE CONVENTIONAL MOLD COLUMN	29APR03	HJ
				L	UPDATE TABLE, REMOVE MGP MOLD FOR 08N SOIC STANDARD LEAD FRAME	01JUL04	SK

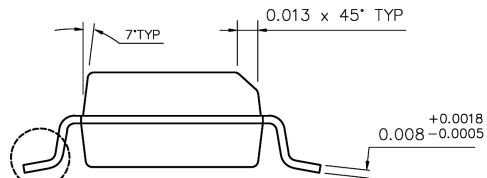
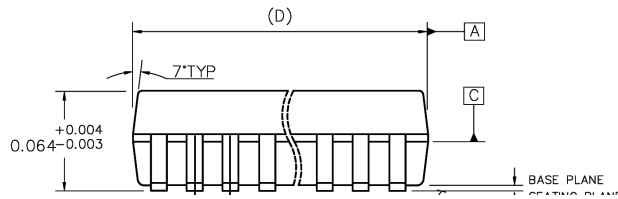


ALL DIMENSIONS ARE IN INCHES UNLESS OTHERWISE NOTED
NOTES:

- "D" & "E" ARE REFERENCE DATUMS AND DO NOT INCLUDE MOLD FLASH OR PROTRUSION. MOLD FLASH OR PROTRUSION SHALL NOT EXCEED 6 MILS PER SIDE.
- "N" IS THE NUMBER OF TERMINAL POSITIONS.
- FORMED LEADS SHALL BE PLANAR WITH RESPECT TO ONE ANOTHER WITHIN 3 MILS (SEATING PLANE) OUTGOING ASSEMBLY & 4 MILS AFTER TEST.
- THE BOTTOM PACKAGE LEAD SIDE MAY BE BIGGER THAN THE TOP PACKAGE LEAD SIDE BY 4 MILS (2 MILS PER SIDE). BOTTOM PACKAGE DIMENSION SHALL FOLLOW DIMENSION STATED IN THIS DRAWING.
- THE BOTTOM EJECTOR PIN CONTAINS COUNTRY OF ORIGIN "INDO" AND MOLD ID. (REFER TO TABLE FOR OPTION).
- THIS DRAWING CONFORMS TO JEDEC REF. MS-012 REV. E



N	D VARIATION			MGP MOLD			
	MIN	NOM	MAX	PIN 1 I.D.	EJECT PIN	PIN 1 I.D.	EJECT PIN
08	0.189	0.193	0.196	N/A		YES	YES
14	0.337	0.339	0.344	YES	NO	YES	YES
16	0.386	0.390	0.393	N/A		YES	YES

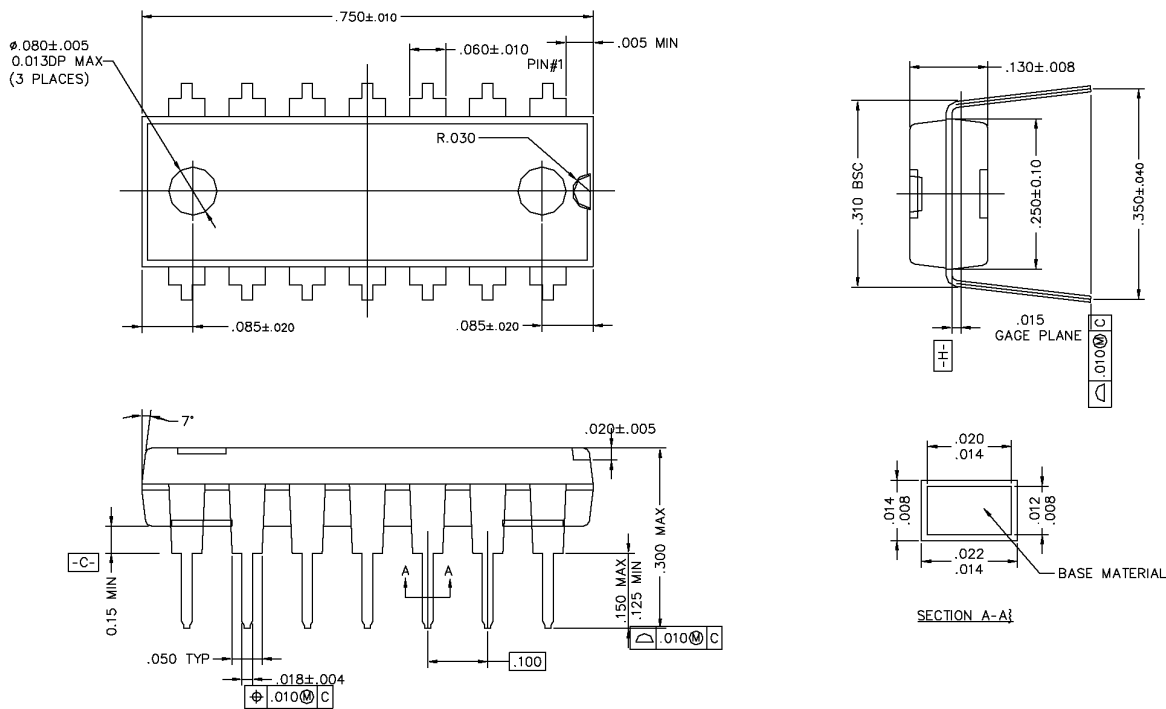




Package Dimensions (PDIP-14)

Please contact support@tfsemi.com for package availability.

ALL DIMENSIONS ARE IN INCHES UNLESS OTHERWISE NOTED



Note: Drawing conforms to jedec ref. MS-001 rev D



Revision History

Rev.	Change	Owner	Date
1.0	First release, Advance info datasheet	Keith Spaulding	11/24/2017

Important Notice

TF Semiconductor Solutions (TFSS) PRODUCTS ARE NEITHER DESIGNED NOR INTENDED FOR USE IN MILITARY AND/OR AEROSPACE, AUTOMOTIVE OR MEDICAL DEVICES OR SYSTEMS UNLESS THE SPECIFIC TFSS PRODUCTS ARE SPECIFICALLY DESIGNATED BY TFSS FOR SUCH USE. BUYERS ACKNOWLEDGE AND AGREE THAT ANY SUCH USE OF TFSS PRODUCTS WHICH TFSS HAS NOT DESIGNATED FOR USE IN MILITARY AND/OR AEROSPACE, AUTOMOTIVE OR MEDICAL DEVICES OR SYSTEMS IS SOLELY AT THE BUYER'S RISK.

TFSS assumes no liability for application assistance or customer product design. Customers are responsible for their products and applications using TFSS products.

Resale of TFSS products or services with statements different from or beyond the parameters stated by TFSS for that product or service voids all express and any implied warranties for the associated TFSS product or service. TFSS is not responsible or liable for any such statements.

©2017 TFSS. All Rights Reserved. Information and data in this document are owned by TFSS wholly and may not be edited, reproduced, or redistributed in any way without the express written consent from TFSS.

For additional information please contact support@tfsemi.com or visit www.tfsemi.com.