



TF0211

Single 1.9A High-Speed, Low-Side Gate Driver

Features

- Efficient, low-cost solution for driving MOSFETs and IGBTs
- Wide supply voltage operating range: 4.5V to 18V
- 1.9A source / 1.8A sink output current capability
- Non-inverting and inverting inputs (TF0211C)
- Non-inverting input with Enable pin (TF0211E)
- Fast propagation delays (35ns typical)
- Fast rise and fall times (15ns typical)
- Logic inputs (IN, IN*, and EN) 3.3V capability
- Space saving SOT23-5L package
- Extended temperature range: -40°C to +125°C

Applications

- Switch mode power supplies
- Line Drivers
- DC-DC Converters
- Motor Drive



SOT-23-5L

Description

The TF0211 single high speed MOSFET and IGBT drivers are capable of driving 1.9A of peak current in low side driving configurations. The TF0211 logic inputs are compatible with standard TTL and CMOS levels (down to 3.3V) to interface easily with MCUs. The TF0211C provides non-inverting and inverting inputs while the TF0211E provides a non-inverting input with an EN control.

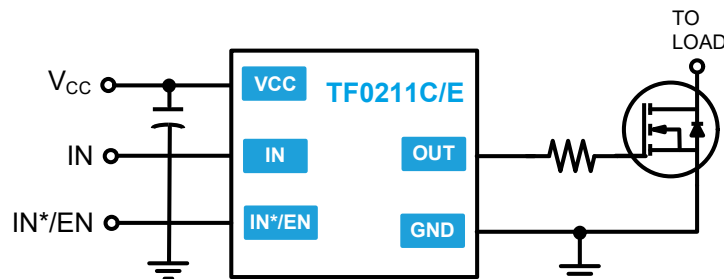
Because of fast propagation times of 35ns typical and rise/fall times of 15ns typical the TF0211 is well suited for high speed applications like switch mode power supplies and PFC circuits. The TF0211 comes in a space-saving SOT23-5L package and it operates over an extended -40 °C to +125 °C temperature range.

Ordering Information

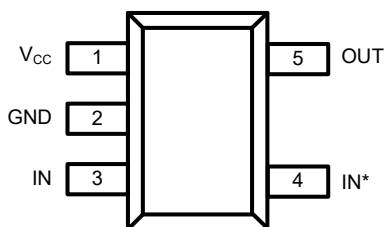
YearYear WeekWeek

PART NUMBER	PACKAGE	PACK / Qty	MARK
TF0211C-USQ	SOT-23-5L	T&R / 3,000	T0211C/11E YYWW
TF0211E-USQ	SOT-23-5L	T&R / 3,000	

Typical Application

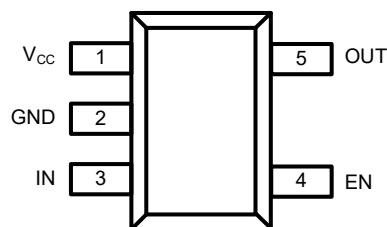


Pin Diagrams



TF0211C

Top View: SOT23-5L

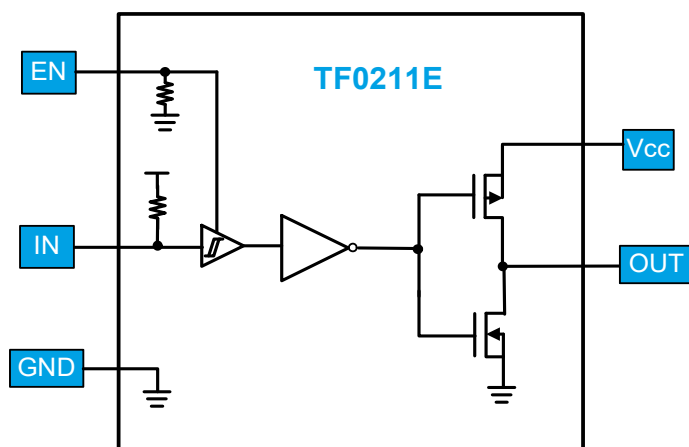
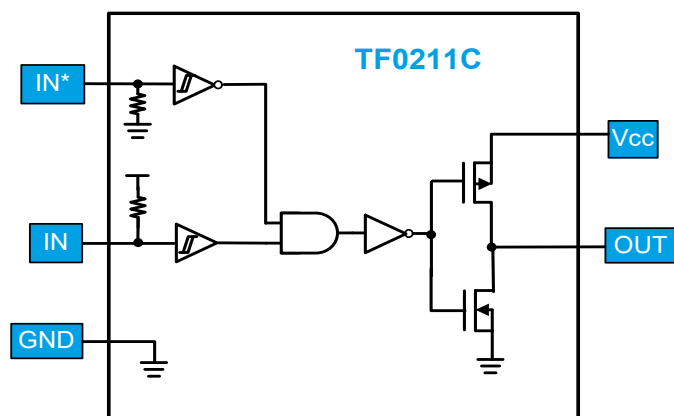


TF0211E

Pin Descriptions

PIN NAME	PIN NUMBER	PIN DESCRIPTION
V _{CC}	1	Supply input
GND	2	Supply return
IN	3	Logic input, see input/output response table pg. 3
IN* (TF0211C)	4	Logic input, see input/output response table pg. 3
EN (TF0211E)	4	Enable input, see input/output response table pg. 3

Functional Block Diagram



Revision History

Rev.	Change	Owner	Date
1.0	First release	D. Walton	12/16/2022

for additional information contact: info@tfsemiconductors.com

Important Notice

TF Semiconductor Solutions (TFSS) PRODUCTS ARE NEITHER DESIGNED NOR INTENDED FOR USE IN MILITARY AND/OR AEROSPACE, AUTOMOTIVE OR MEDICAL DEVICES OR SYSTEMS UNLESS THE SPECIFIC TFSS PRODUCTS ARE SPECIFICALLY DESIGNATED BY TFSS FOR SUCH USE. BUYERS ACKNOWLEDGE AND AGREE THAT ANY SUCH USE OF TFSS PRODUCTS WHICH TFSS HAS NOT DESIGNATED FOR USE IN MILITARY AND/OR AEROSPACE, AUTOMOTIVE OR MEDICAL DEVICES OR SYSTEMS IS SOLELY AT THE BUYER'S RISK.

TFSS assumes no liability for application assistance or customer product design. Customers are responsible for their products and applications using TFSS products.

Resale of TFSS products or services with statements different from or beyond the parameters stated by TFSS for that product or service voids all express and any implied warranties for the associated TFSS product or service. TFSS is not responsible or liable for any such statements.

©2022 TFSS. All Rights Reserved. Information and data in this document are owned by TFSS wholly and may not be edited, reproduced, or redistributed in any way without the express written consent from TFSS.

For additional information please contact support@tfsemi.com or visit www.tfsemi.com.